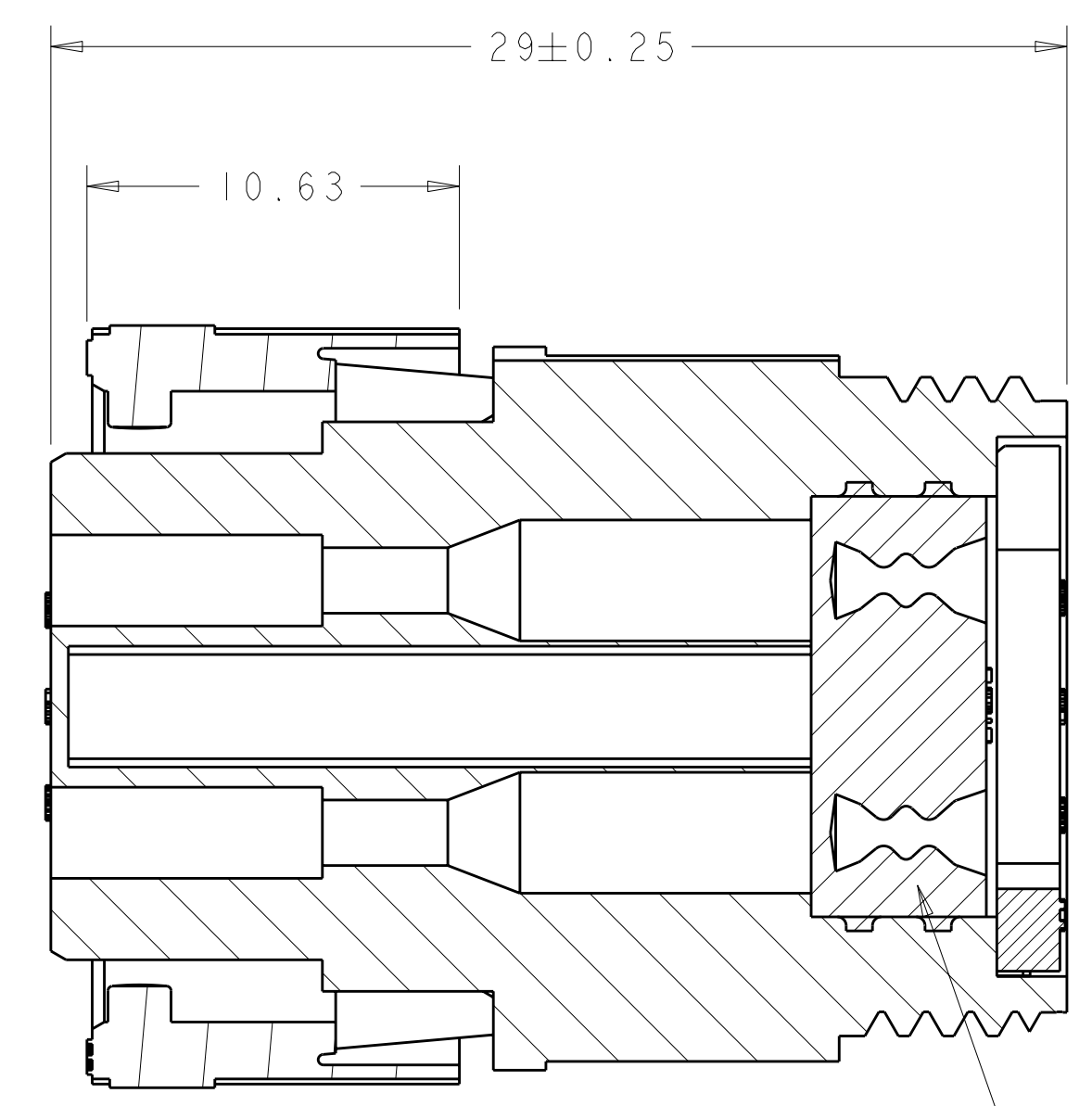
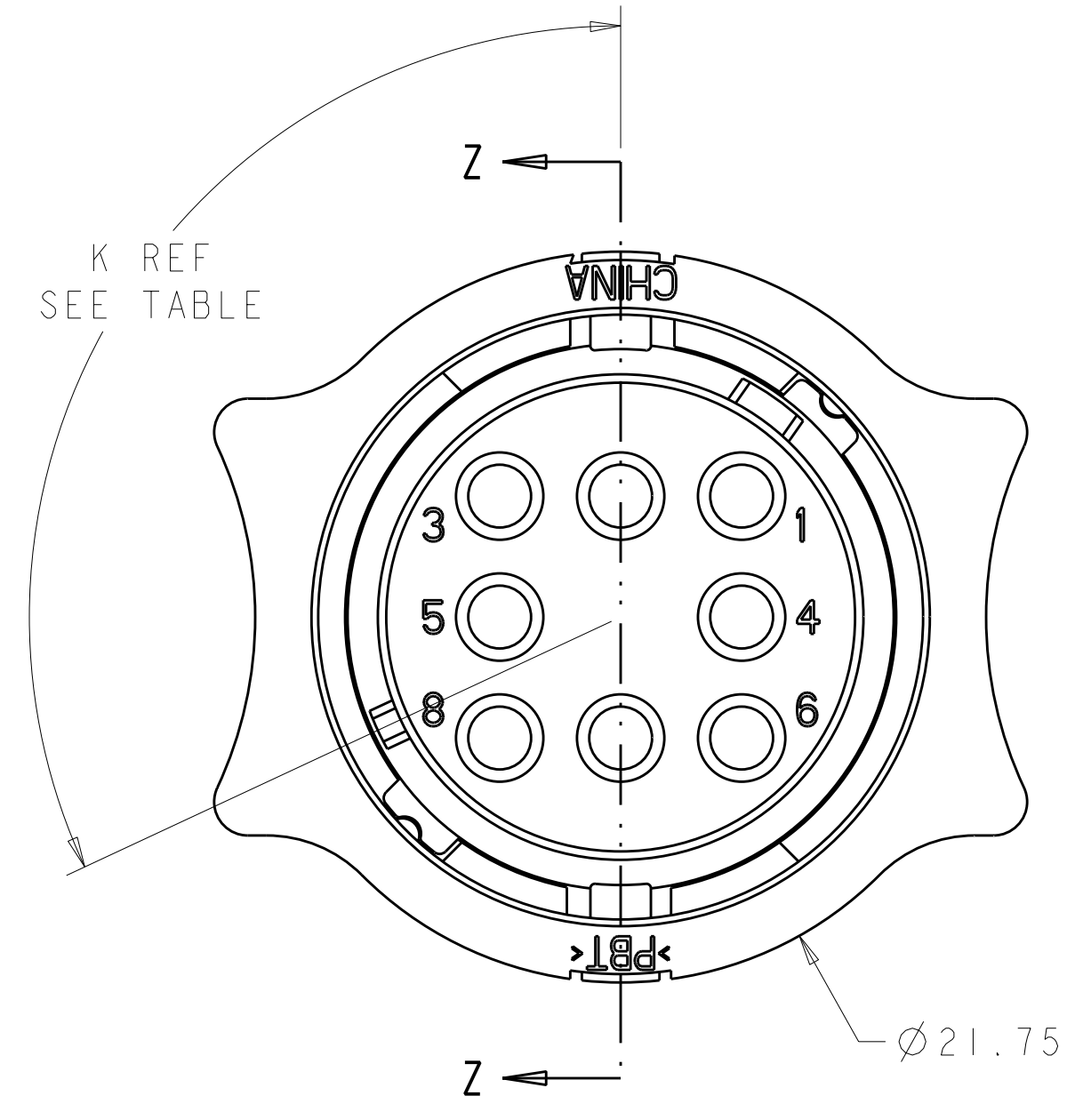
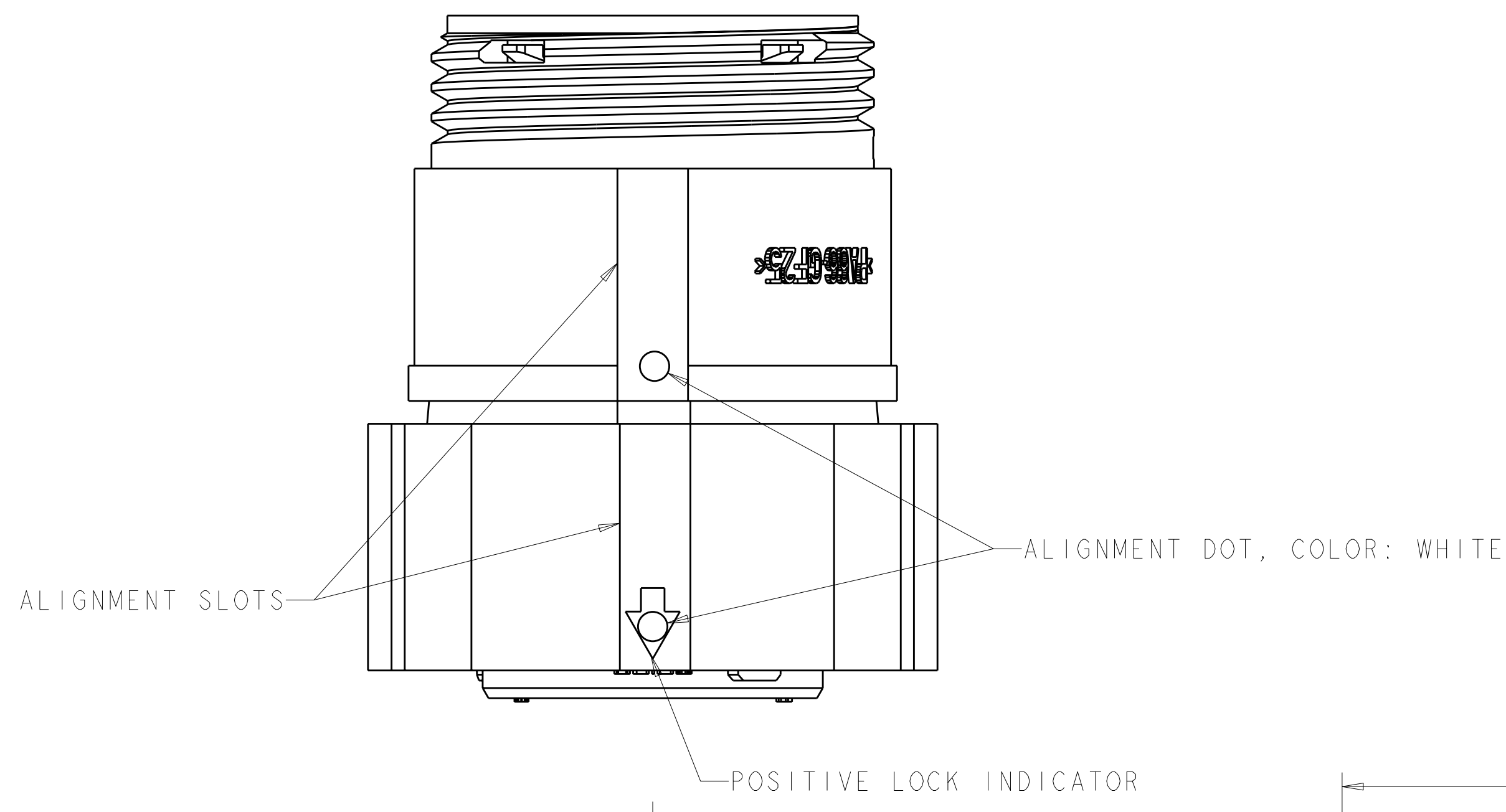
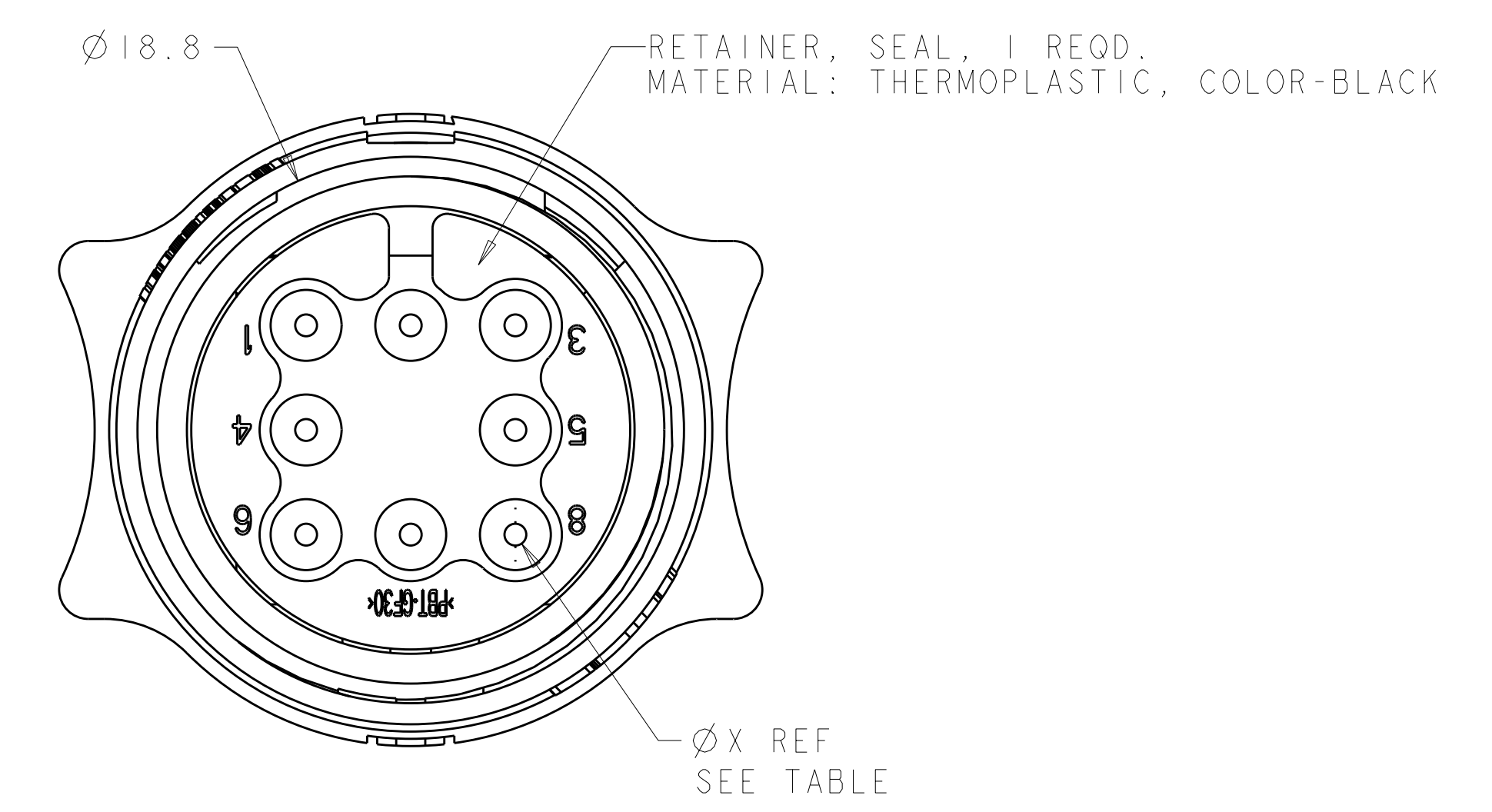


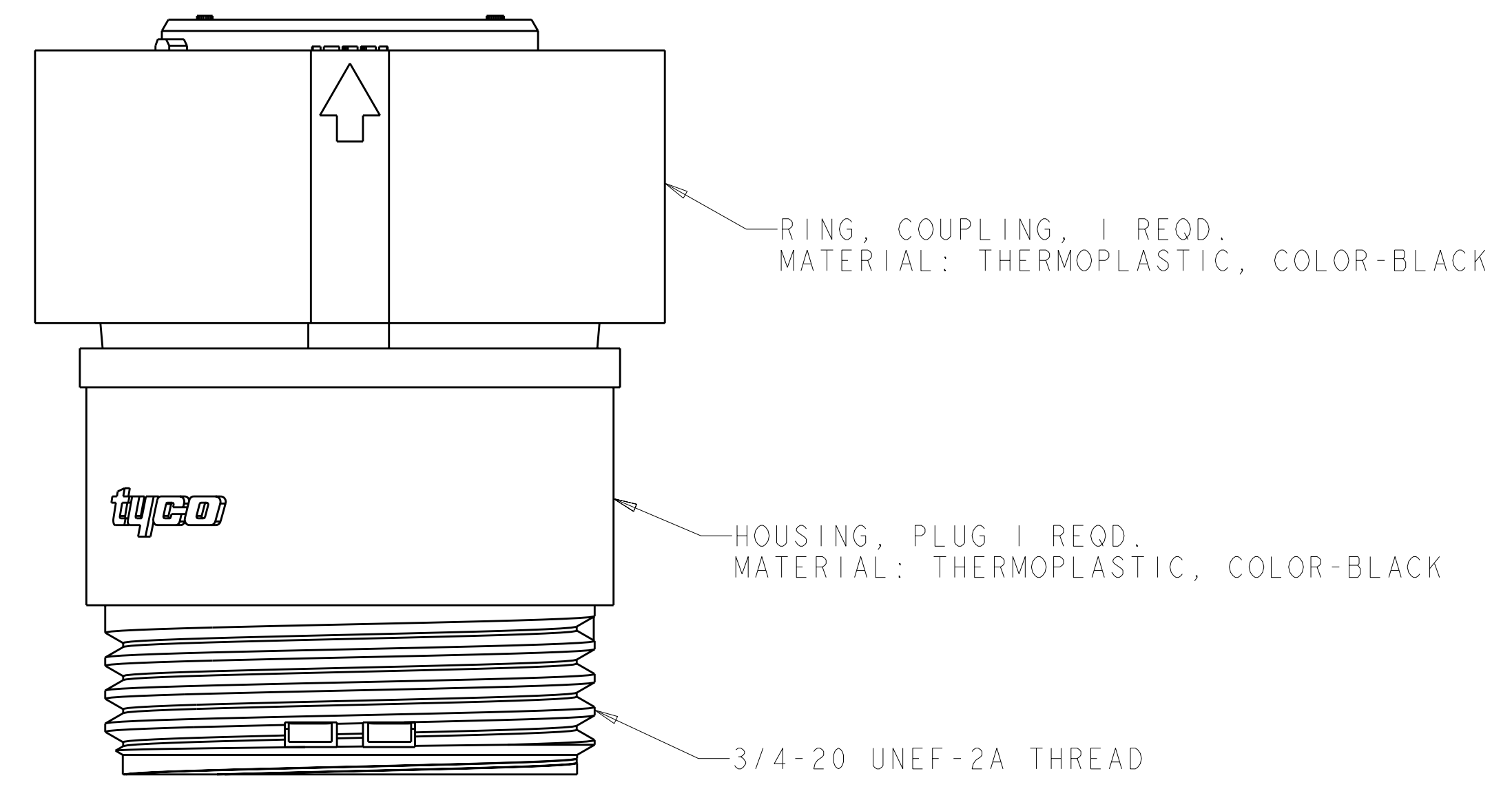
LOC	DIST	REVISIONS					
FT	0	P	LT#	DESCRIPTION	DATE	DWN	APVD
		A		REVISED EC 063B-0326-03	13JUN2003	SW	HW
		B		REVISED EC 063B-0390-04	24MAY2004	SW	HW
		C		REVISED ECO-06-030039	03JAN2007	SW	DC



SECTION Z-Z



SEAL, WIRE ENTRY, 1 REQD.
MATERIAL: ELASTOMER, COLOR-SEE TABLE



QUALIFICATION TEST PENDING

SEAL, WIRE ENTRY COLOR	Ø X REF	K REF	PART NUMBER
YELLOW	Ø 0.75	135°	1445817-4
NATURAL	Ø 1.5	115°	1445817-3
NATURAL	Ø 1.5	135°	1445817-2
YELLOW	Ø 0.75	115°	1445817-1

DIMENSIONS: mm 		TOLERANCES UNLESS OTHERWISE SPECIFIED: 9 PLC ± 1 PLC ± 2 PLC ±0.13 3 PLC ± 4 PLC ± ANGLES ± FINISH -		DWN SHANE WUEST 16OCT2001 CHK G DOUTY 16OCT2001 APVD H WAKEEM 13JUN2003		tyco Electronics Tyco Electronics Harrisburg, PA 17105-3608	
MATERIAL SEE CALLOUT		WEIGHT -		SIZE CAGE CODE DRAWING NO A11 00779 C=1445817		RESTRICTED TO CUSTOMER DRAWING SCALE 5:1 SHEET 1 OF 1 REV C	